

Viega pre-wall systems

Systems for creative bathroom design.





Viega. A better idea!

Family tradition

The name Viega stands for a family-owned company that has always set the highest standards in terms of product quality, customer proximity, delivery reliability and excellent service. Above all, this means demanding the highest standards of itself. Because one thing is certain: it takes more than just a good idea to write an international success story. So it is no accident that courage, an innovative spirit and passion have characterised the company for more than 100 years.



Competency combined with diversity

The Viega portfolio has grown to encompass 14,000 products, which not only represent a uniquely diverse range within our sector of industry, but also meet the highest standards of quality. The reason behind this is that Viega combines the best of everything: highly skilled employees, premium raw materials, state-of-the-art production facilities – at all of its five production plants in Germany and the USA.



Systematic and precise

Added to which, 14,000 products are permanently in stock and are consigned, coded, packed and despatched using our seamless logistics system. This systematic process is typical of Viega, since it is our products themselves that mesh with one another as well as the processes themselves. Pre-wall systems – one of many Viega innovations – form the basis. The Steptec system presented in this brochure is a prime example of this: a tried and tested system which opens up undreamt-of opportunities in plumbing and installation. Totally in keeping with our motto: Viega. A better idea!



Viega pre-wall systems. There are no limits to our diversity.

Colours, tiles, fittings – as far as the aesthetic design of a bathroom is concerned, it all comes down to the individual taste of your customer. However, specialist knowledge is required behind the scenes. For the safety, reliability and neat fit of the sanitary facilities ultimately depend on the quality of your installation work. The quality of the processing components plays a crucial role in this respect.

You need to be able to rely on them – in terms of material, fitting and how they combine to form an overall system. Again, this is something that we see as our duty: to meet the toughest requirements in everything we do. That means no compromises in product quality and comprehensive system expertise.

Viega system technology

Our core skills, and in particular our wide range of metal and plastic pipe installations as well as our pre-wall solutions, have enabled us to become one of the most successful brand manufacturers in the industry. For decades, Viega has been synonymous with innovative domestic installations and guaranteed system safety.





Steptec

Page **6**

Two basic components – that's all you need to allow your ideas free reign, and they are: a profile and some connectors. There is no end to the combinations that are possible.



Viega Eco Plus

Page **14**

The pre-wall solution with the optimum price/performance ratio. The classic choice for contractual fitting projects.



Viega Mono

Page **28**

The robust pre-wall block for easy walling in and around.

Viega Mono offers a high level of flexibility thanks to its variable size.

Viega planning: Soundproofing, fire protection, damp protection

Page **36**

Benefit from Viega's expertise in the fields of soundproofing, fire protection and damp protection in the form of: soundproofing for all pre-wall systems certified to DIN 4109 in accordance with the requirements of the Fraunhofer Institute for Building Physics, a multi-vendor declaration of compliance for the Viegaswift and Steptec fire protection shafts, and important damp sealing information.

Visign 2 concealed flushing cistern and Visign actuating plates

Page **44**

With their visionary design and high-quality materials, Visign actuating plates set new standards.

The Viega Visign range cannot fail to impress thanks to the sheer variety and scope of its potential applications.



Steptec. Total freedom for bathroom design.



No matter what you have in mind, Steptec lets you implement it easily. Two elements form the basis for assembly: profiles and connectors. This is all you need to put exceptional ideas and plans into practice yourself. Steptec means flexible bathroom design with a high level of installation comfort



Steptec. It doesn't get any more varied than this.
Of that you can be sure.





Individuality is the all-important word when it comes to bathroom planning. Therefore, the solution you need is Steptec – the best the market has to offer in terms of creating individual or barrier-free (suitable for disabled users) pre-wall and separating structures (whether half-height, full-height or freestanding). The system consists of just two basic elements (a profile and connectors), yet it provides an astounding level of design freedom.

The principle: innovative trapezoidal connectors are used to join the system profiles together with 90° or 45° angle-butted edges. This means pure flexibility. When the Allen bolts are tightened, the connectors dig their claws into the system profiles so that all tensile and compressive forces can be absorbed easily. This guarantees an extremely high degree of stability. Costing on a square-metre basis is time-saving and uncomplicated. Depending on the dimensions, with the help of the Steptec profile punching machine you can shorten the profiles quickly and without burrs. And since only two components are required, you can reduce your storage costs at the same time. This means that your calculations always come out even! In short: Steptec is the optimum installation solution regardless of where your sanitary facilities are located.



The Steptec complete kit includes everything you will need to connect and fasten the profiles. Once this has been done, all you need do is finish off the relevant modules.



The profile punching machines which are part of the system result in a clean burr-free manual cut, which needs no further finishing – This method is quicker, quieter and cleaner than slitting or sawing.



Steptec. Enjoy unlimited flexibility.

1 The system consists of 2 components: Steptec connectors and Steptec profiles. The connectors can be mounted at a 45° or 90° angle on both the closed and the open profile side. For all other angles, the Steptec articulation is used.

2 With dimensions of 40 mm x 40 mm, the Steptec profile offers a large supporting surface for the cladding – it is open on one side and pre-drilled every 30 cm for mounting on floors and walls. The Steptec system only requires a single covering (1 x 12.5 mm) of GKFI boards.



3 Steptec WC and bidet modules have been developed for Steptec structures. For all other applications, the Viegaswift modules/fitting holders are available.

4 The Steptec system is equipped with the water-saving Viega Visign 2 concealed flushing cistern, which adds even more benefits.

5 Fire protection and soundproofing: Steptec has the fire protection declaration of compliance in accordance with the German Wiring Systems Directive, and its soundproofing has been tested for conformity to DIN 4109 by the Fraunhofer Institute for Building Physics in Stuttgart.



For further accessories, see catalogue.

Steptec. Both simple to calculate and easy to fit.

Viega Steptec is available in complete ready-to-use kits of size 1, 3, 5 and 10 m². These kits contain the graded quantities of all the required connectors and fastening materials such as plugs, screws, rapid fit screws and shims. Selecting the right kit is child's play, as the amount of material required depends on the area to be covered. Simply calculate the profile length using the profile factor, order the appropriate bathroom module from the Viega catalogue, and you can start installing.



Use the simple formula Width x Height to determine the surface area of the installation and thus the size of the complete kit required. To find out the profile length required, just multiply this value by the profile factor (5.5), and you're done.

Example:

2.4 m x 1.1 m = 2.64 m² => a 3 m² complete kit

2.64 m² x 5.5 (profile factor) = 14.52 m² => three 5 m profiles

This calculation applies for all surfaces to be clad.

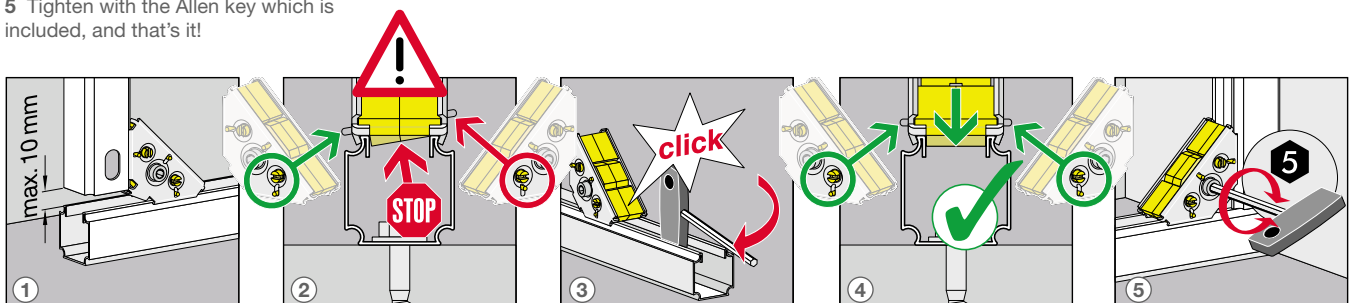
1 Maximum permitted gap when connecting two profiles: 10 mm.

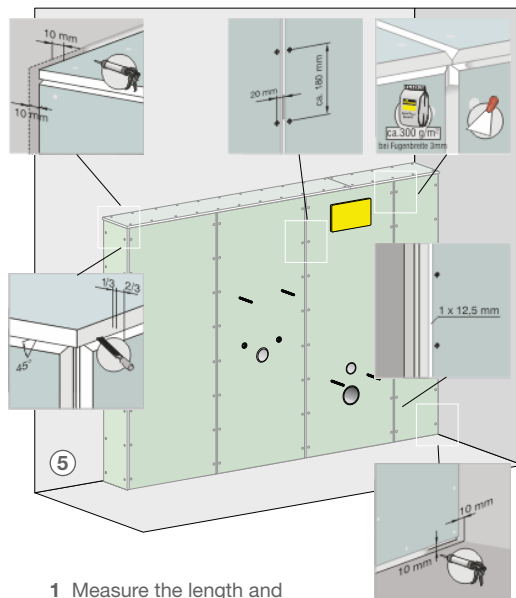
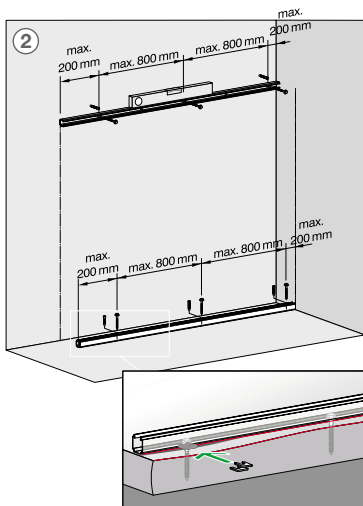
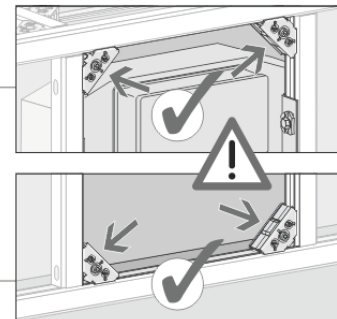
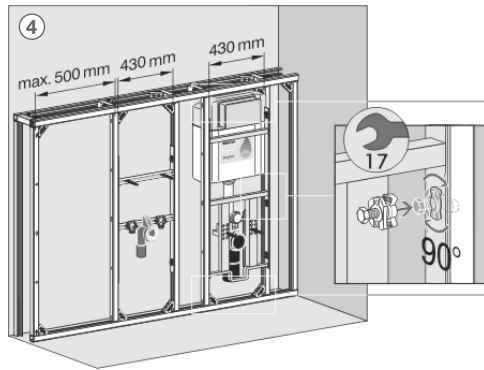
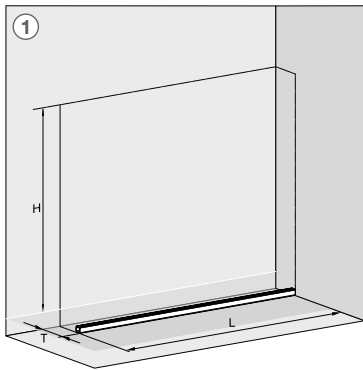
2 Important: The connector must sit correctly!

3 The Allen key can be used to widen slightly deformed profiles.

4 The connector is correctly fitted if the bolt is facing downwards at the side.

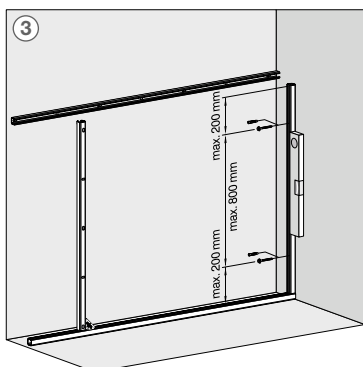
5 Tighten with the Allen key which is included, and that's it!



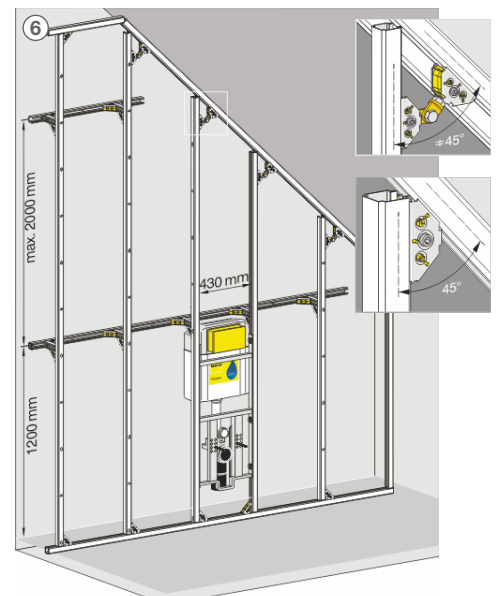


5 Chamfer the butted edges to 45° and use the rapid fit screws provided to fix the covering surface at 180 mm intervals. Then coat the butted edges with filler. Then inject filler into the gaps between pre-wall and floor, and pre-wall and fixed wall.

6 In general, ensure that room-height pre-walls are supported at the back at a height of 1200 mm. Similar support is required every 2000 mm.



- 1** Measure the length and depth of the pre-wall.
- 2** Position the floor and wall profiles and screw tight.
- 3** Now position and fix the side Steptec profiles.
- 4** Position vertical profiles with the module at a distance of 430 mm. If there is no module, the maximum distance is 500 mm. Now insert the key blocks. Insert into the profile, turn 90°, and tighten with a size 17 ring spanner.



**Viega Eco Plus.
Make your contractual fitting
projects stand out.**



Viega Eco Plus stands for tried and tested engineering, efficient fitting and intelligent detailed solutions. This makes it a practical system which is able to deal with any kind of pre-wall installation, and it is one of the preferred solutions for contractual fitting purposes. Viega Eco Plus is available at an attractive, all-inclusive price. Truly a system you can count on.





Viega Eco Plus. Attractive price, amazing performance.

Viega Eco Plus signals the way forward for contractual fitting with its unbeatable price/performance ratio. The simple reason for this is that everything is just right: its sturdy workmanship, its robust quality and its enormous versatility. Whatever the fitting method (single, profile or framework) – Viega Eco Plus guarantees trouble-free and economical installation. Clever solutions and innovative details such as the alignment aid save you time during fitting. In addition, the vertically adjustable WC connection elbow ensures convenient connection to the sewerage system. It doesn't get any more practical than this.

Cost-effectiveness, ease of fitting and a wide range of services make Viega Eco Plus the ideal dry wall construction system for contractual fitting purposes.





Viega Eco Plus. An all-rounder you can count on.

1 The sturdy, free-standing elements consist of powder-coated frames, thus guaranteeing absolute torsion resistance as well as static safety. The elements are clad in two layers (2 x 12.5 mm).

2 The mounting kit can be fitted directly to the wall, on the mounting profile or in the corner at an angle of 45°. It allows continuous depth adjustment of the elements up to 200 mm.

3 The ceramic attachment can be custom-adjusted and set to a height suitable for disabled users.

4 The vertically adjustable elbow makes connection to the sewerage system significantly easier.

5 The extendable feet can be integrated in 50 mm as well as in 75 mm frames.

6 Viega Eco Plus is equipped with the water-saving Viega Visign 2 concealed flushing cistern, which adds even more benefits.

7 The alignment aid integrated in all Viega Eco Plus elements guarantees fast and simple installation.

8 Viega Eco Plus has soundproofing which has been certified in accordance with DIN 4109 by the Fraunhofer Institute for Building Physics in Stuttgart.



Viega Eco
WC element 8180.25
H x W x D:
1130 x 490 x 130-200 mm



Viega Eco
WC element 8180.26
H x W x D:
1130 x 490 x 130-200 mm



Viega Eco Plus
WC element 8161.2
H x W x D:
1130 x 490 x 130-200 mm



Viega Eco Plus
WC element 8138.2
H x W x D:
830 x 490 x 200 mm



Viega Eco Plus
WC element 8137.2
H x W x D:
830 x 490 x 200 mm



Viega Eco Plus
bidet element 8167.5
H x W x D:
1130 x 490 x 100-200 mm



Viega Eco Plus
washbasin element 8163
H x W x D:
1130 x 575 x 100-200 mm



Viega Eco Plus
washbasin element 8156
H x W x D:
1300 x 490 x 100-200 mm



Viega Eco Plus
washbasin element 8158
H x W x D:
1130 x 490 x 90-200 mm



Viega Eco Plus
washbasin element 8155 with
in-wall meter H x W x D:
1130 x 490 x 115-200 mm



Viega Eco Plus
washbasin element 8154 with
in-wall meter, H x W x D:
1130 x 490 x 115-200 mm



Viega Eco Plus
AG element 8159
H x W x D:
1300 x 490 x 100-200 mm



Viega Eco Plus
urinal element 8164.5
H x W x D:
1130/1300 x 490 x 100-200 mm



Viega Eco Plus
urinal element 8152.1
(radar electronics 230 V)
H x W x D:
1130 x 490 x 125-200 mm



Viega Eco Plus
urinal element 8152.2
(radar electronics 9 V)
H x W x D:
1130 x 490 x 125-200 mm



Viega Eco Plus
mounting element 8169
H x W x D:
1130 x 330 x 30-200 mm



Viega Eco Plus
mounting kit 8173



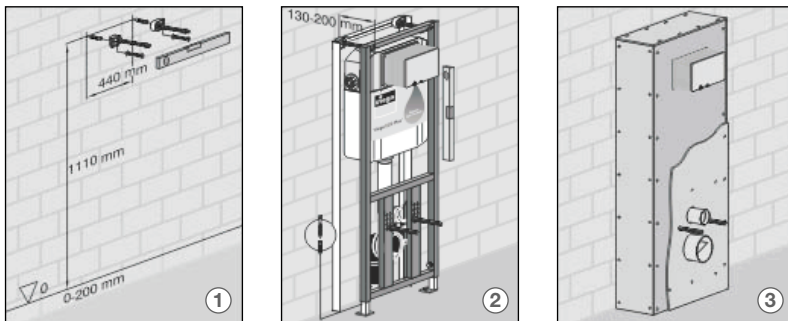
Mounting profile 8001
H x D: 40 x 22 mm
Length 3000 mm



Viega Eco Plus: Child's play to install.

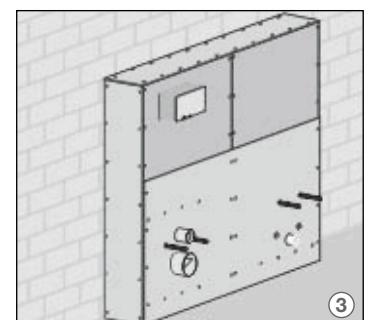
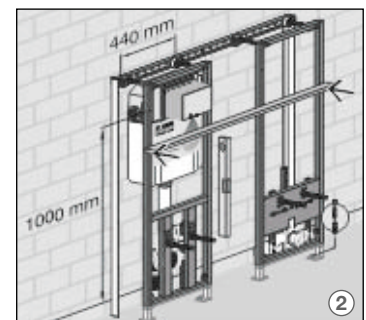
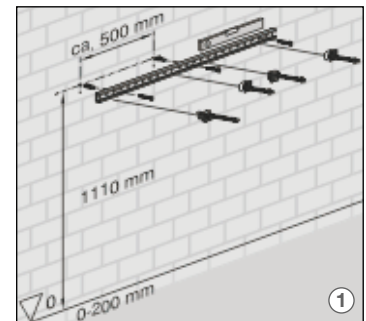
Pre-wall single fitting – height 1130 mm

- 1 The mounting kit is fixed to the wall with screw anchor plugs at a height of 1110 mm. The distance between the two fixing points should be 440 mm.
- 2 Mount the Viega Eco Plus WC element and adjust with a spirit level. Then bolt the extendable feet to the floor with screw anchor plugs. Apply the wall profiles, to which the plasterboards will later be fixed, to the side and top of the element.
- 3 Finally, apply a double covering of GKFI boards (2 x 12.5 mm) to the element.



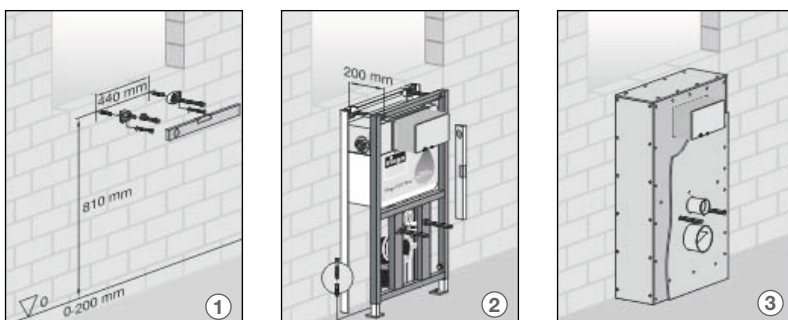
Pre-wall line mounting – height 1130 mm

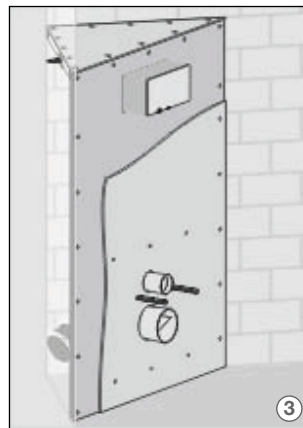
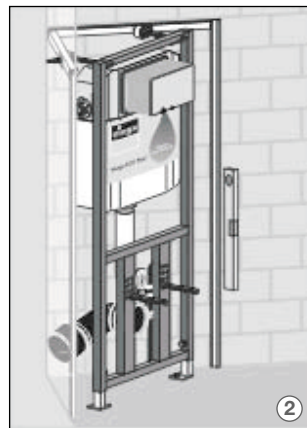
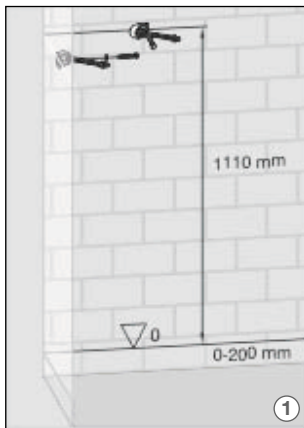
- 1 The mounting profile is fixed to the wall at 500 mm intervals with screw anchor plugs at a height of 1110 mm. The mounting kit is then mounted observing a distance of 440 mm.
- 2 When mounting the two elements, use a spirit level to adjust exactly. Now apply at the sides the wall profiles to which the plasterboards will later be fixed.
- 3 Finally, apply a double covering of GKFI boards (2 x 12.5 mm) to the element.



Pre-wall single fitting – height 830 mm

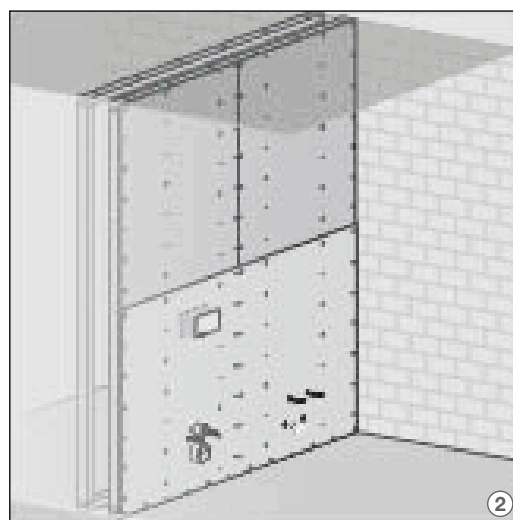
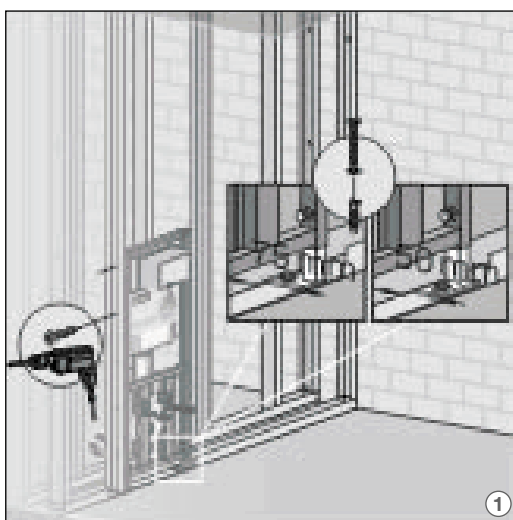
- 1 The mounting kit is fixed to the wall with screw anchor plugs at a height of 810 mm. The distance between the two fixing points should be 440 mm.
- 2 Position the Viega Eco Plus WC element and align it using the spirit level. Then bolt the extendable feet to the floor with screw anchor plugs. Apply the wall profiles, to which the plasterboards will later be fixed, to the side and top of the element.
- 3 Finally, apply a double covering of GKFI boards (2 x 12.5 mm) to the element.





Corner mounting – height 1130 mm

- 1 Apply the mounting kit at a height of 1110 mm.
- 2 The WC element is now fitted, adjusted, and fixed to the floor with screw anchor plugs. The 45° corner profiles are then fitted at the side. These subsequently serve as mounts or fixing points for the GKF boards. A 90° wall connection profile is now fitted above the WC element for the same purpose.
- 3 It is then only necessary to apply a double covering of GKF boards (2 x 12.5 mm).

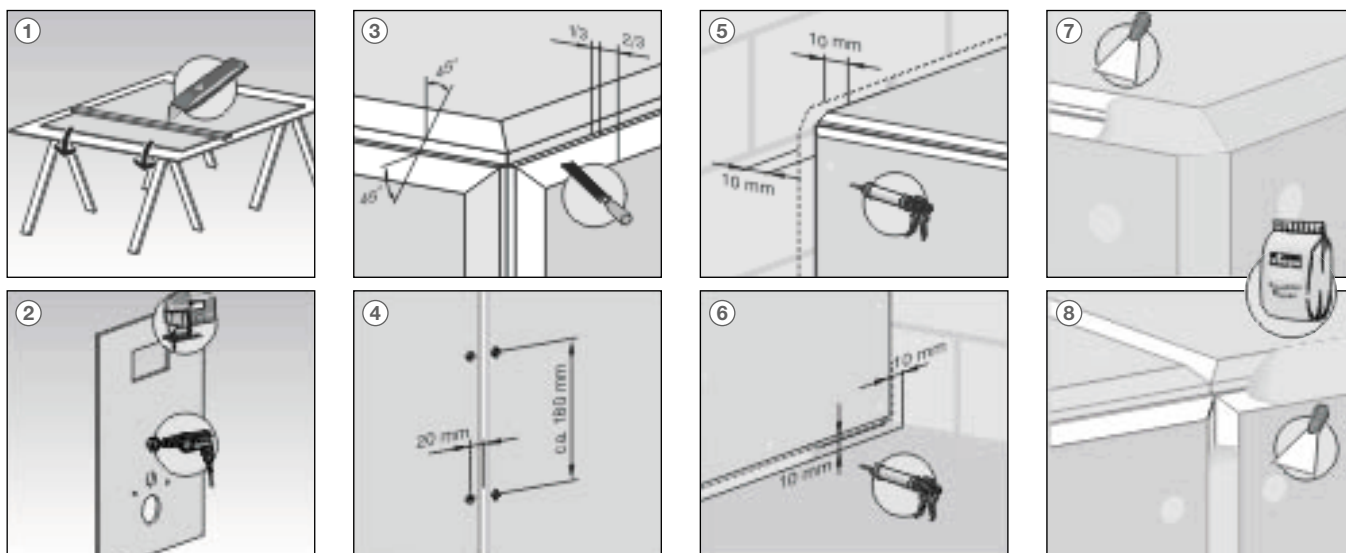


Pre-wall fitting, built-in support frame

- 1 Even different Viega Eco Plus WC elements can be integrated without any problem into existing built-in support frames.
- 2 It is then only necessary to apply a double covering of GKF boards (2 x 12.5 mm) to the pre-wall structure.

Viega Eco Plus.

Efficient covering, barrier-free planning.



1 Cut the plasterboard with a plasterboard knife and break along the cut.

2 If sections need to be cut out, this can be done with a fret saw or with special electric drill implements.

3 Now file off the corresponding butted edges of the panels.

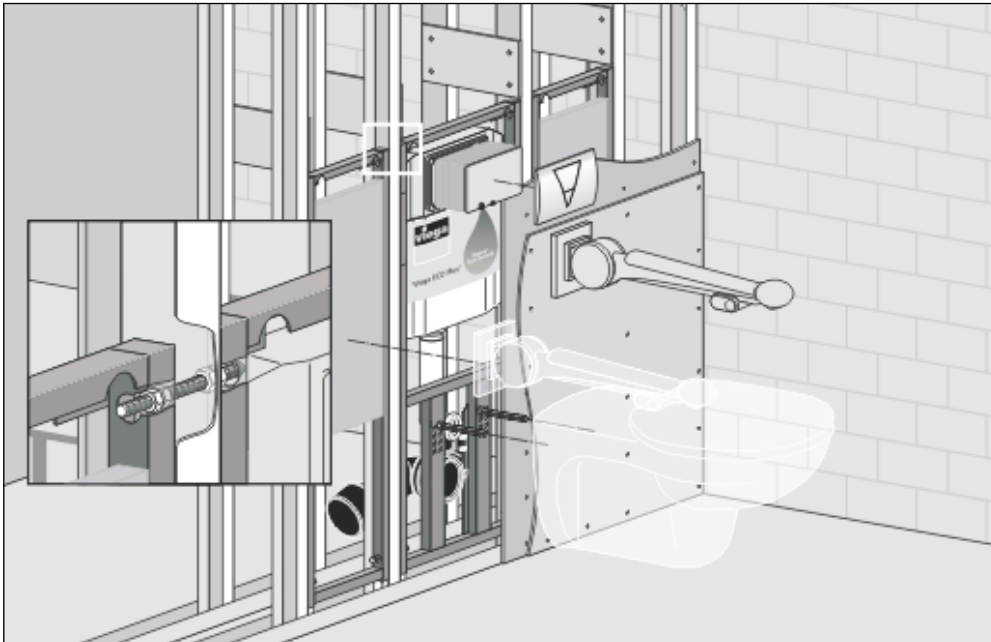
4 When fitting, the distance between screws should be 180 mm.

5 Leave a gap of 10 mm between the plasterboard panel and the fixed wall, ...

6 ... which is then filled with a permanently elastic jointing material.

7 Finally, all butted edges of the pre-wall ...

8 ... should be filled with filler.



Barrier-free bathroom concept

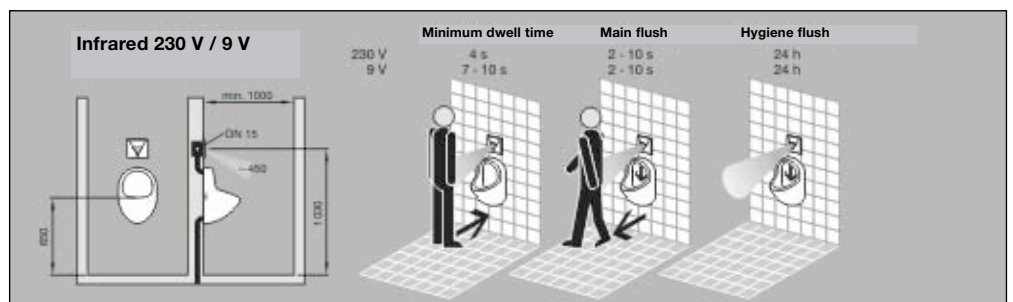
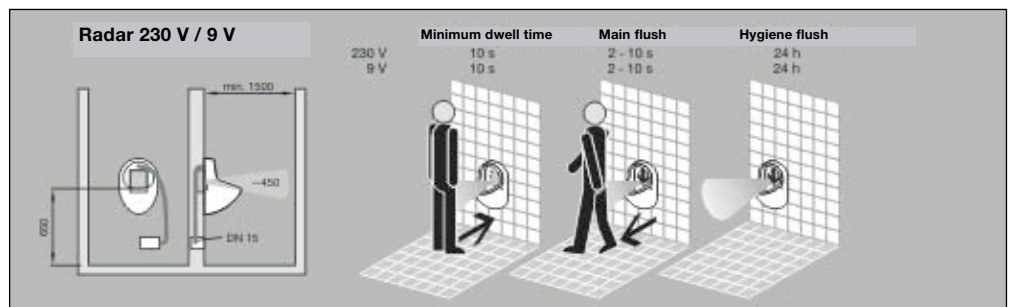
The diagram illustrates the structure of a “barrier-free WC”. For this purpose, fixing elements have been integrated into the framework to the left and right of the Viega Eco Plus WC element. The folding support arms will be attached to these later. The magnified section on the left shows how the various elements are fixed together in the framework. A technical note: Not only can the WC’s flush system be activated by the actuating plate, but also via a radio transmitter in the folding support arm.

Contact-free urinal technology

Viega also offers the possibility of contact-free urinal flushing.

Radar flush release:
The control for this is situated invisibly behind the urinal bowl and is therefore vandal-proof.

Infrared flush release:
The control for this is based either on the 230 V mains supply or on a 9 V battery and is situated above the bowl behind the covering surround.



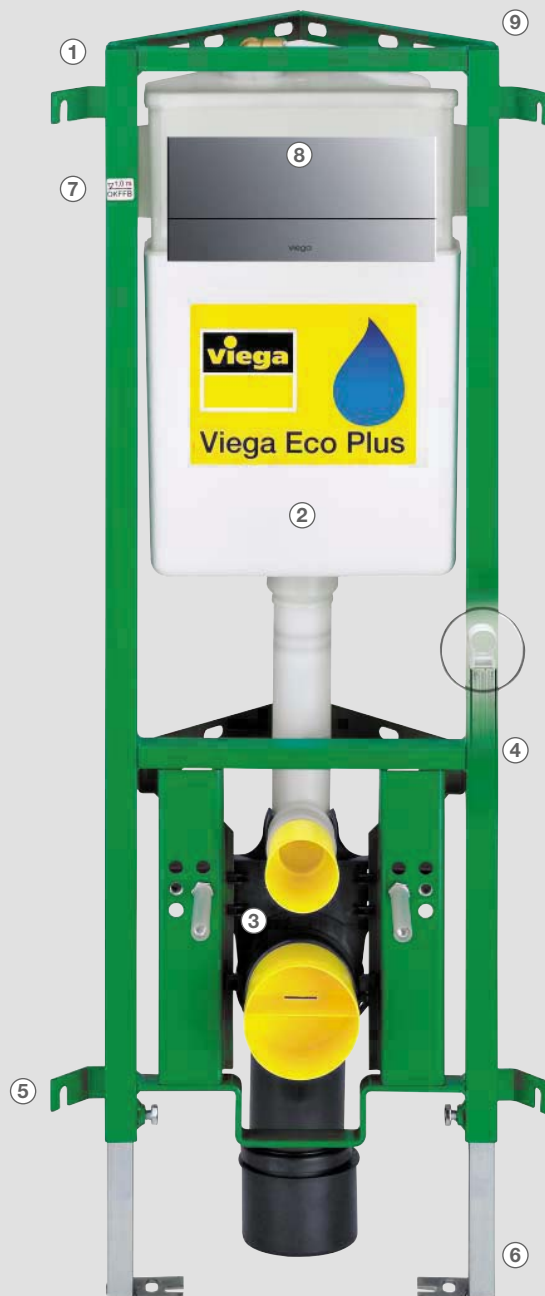
Viega Eco Plus corner elements. When true flexibility is required.

1 The compact design of Viega Eco Plus corner elements results in minimal installed dimensions. The frame is made of powder-coated steel and is also used to support the sheeting.

2 The robust plastic cistern is equipped with a water-saving 2-level flushing mechanism (factory preset full flush of approx. 6 l, can be changed to 7.5 l/short flush volume of approx. 3 l).

3 Individually adjustable mounting height for the WC ceramics (330 mm, 350 mm and 370 mm).

4 Viega Eco Plus alignment is made easier thanks to the "alignment aid" integrated in the frame.



5 The Viega Eco Plus corner element offers numerous fastening options. For example, it can be hung on its outboard shackle plates. It is even possible to install this unit in non-90° corners.

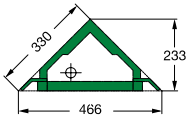
6 When installing the Viega Eco Plus corner element, one of the two feet can be removed if it is in the way of the drain line's route.

7 The metre mark on the frame simplifies installation.

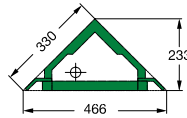
8 Compatible with all Visign actuating plates.

9 The specially formed cistern in the upper section simplifies connection of the supply water line. The supply water line can be routed entirely within the space occupied by the element.

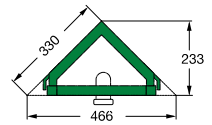
Viega Eco Plus
WC corner element, model 8141.2
Constructional height 1130 mm



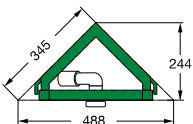
Viega Eco Plus
WC corner element, model 8141.2
Constructional height 980 mm



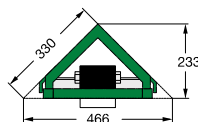
Viega Eco Plus
washbasin corner element, model 8142
Constructional height 980–1130 mm



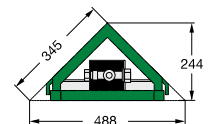
Viega Eco Plus
bidet corner element, model 8143
Constructional height 980–1130 mm



Viega Eco Plus
urinal corner element, model 8144
Constructional height 1130/1300 mm



Viega Eco Plus urinal corner element
“Joly” + “Visit”, model 8145
Constructional height 1130 mm

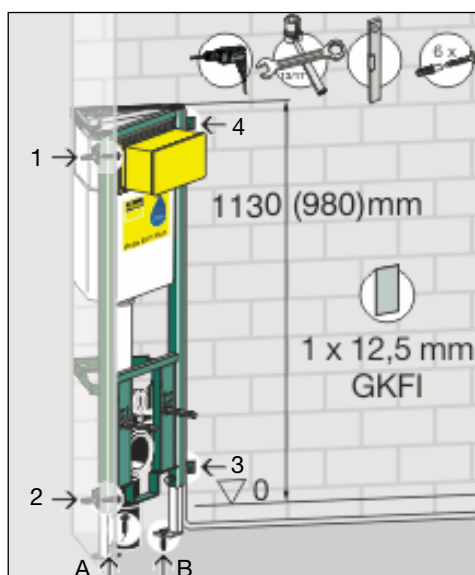


Viega Eco Plus corner elements. Cleverly designed, easily installed.



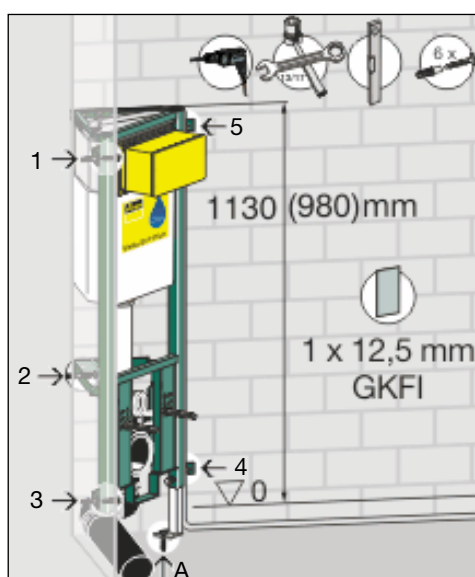
Situation 1: Viega Eco Plus WC corner ele- ment installation, constructional height 1130 mm or 980 mm

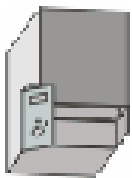
- 1 First place the corner element in the corner at the appropriate installation height (1130 mm or 980 mm, measured from the finished floor's upper surface) and align it. Then mark the fastening points (A + B and 1-4).
- 2 Drill holes at the marked fastening points. After horizontal and vertical alignment, fix the corner element in place with the fastening materials provided. Subsequently panel the element with a single layer of GKFI board.



Situation 2: Viega Eco Plus WC corner ele- ment installation, constructional height 1130 mm or 980 mm, drain routed in foot support area

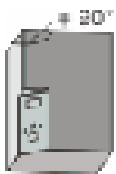
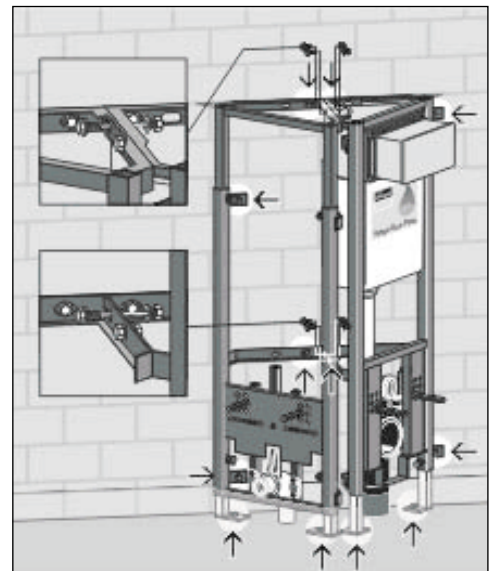
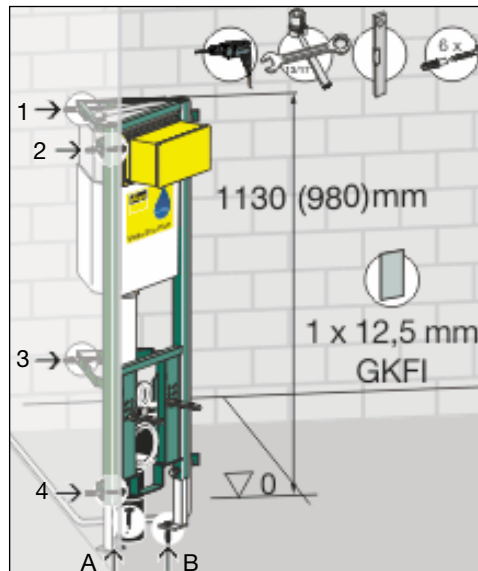
- 1 The procedure is the same as for Situation 1. However, in this case fastening points A and 1-5 are marked.
- 2 Same procedure as for Situation 1: Drill holes for fastening points (A and 1-5), align and fix the corner element in place. Subsequently, panel the element with GKFI board.





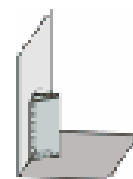
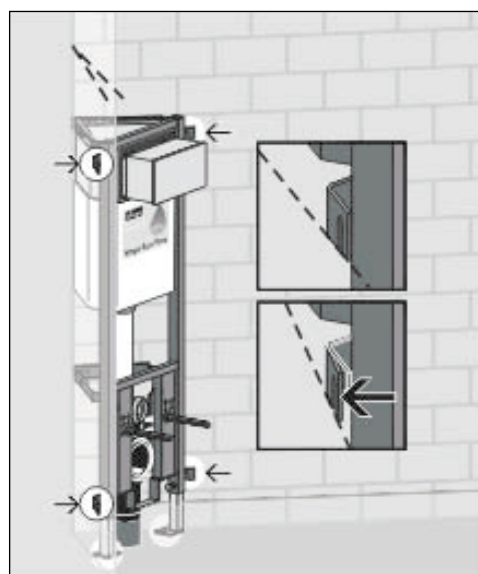
Situation 3:
Viega Eco Plus
WC corner
element installa-
tion (single-
sided fastening),
constructional
height 1130 mm
or 980 mm

- 1 The procedure is the same as for Situation 1. However, in this case fastening points A and B as well as 1-4 are marked.
- 2 Same procedure as for Situation 1: Drill holes for fastening points (A and B, as well as 1-4), align and fix the corner element in place, panel the corner element with a GKFI board.



Situation 4:
Viega Eco Plus
WC corner ele-
ment installation
in a non-90°
corner, constructional
height
1130 mm or
980 mm

The Viega Eco Plus corner element can even be installed in non-90° corners. All you need do is bend the outboard fastening shackles as appropriate. The remaining installation procedure for the corner element is the same as described in the assembly steps above.



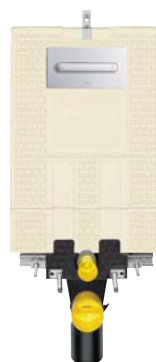
Situation 5:
A combination
of any two
Viega Eco Plus
corner elements

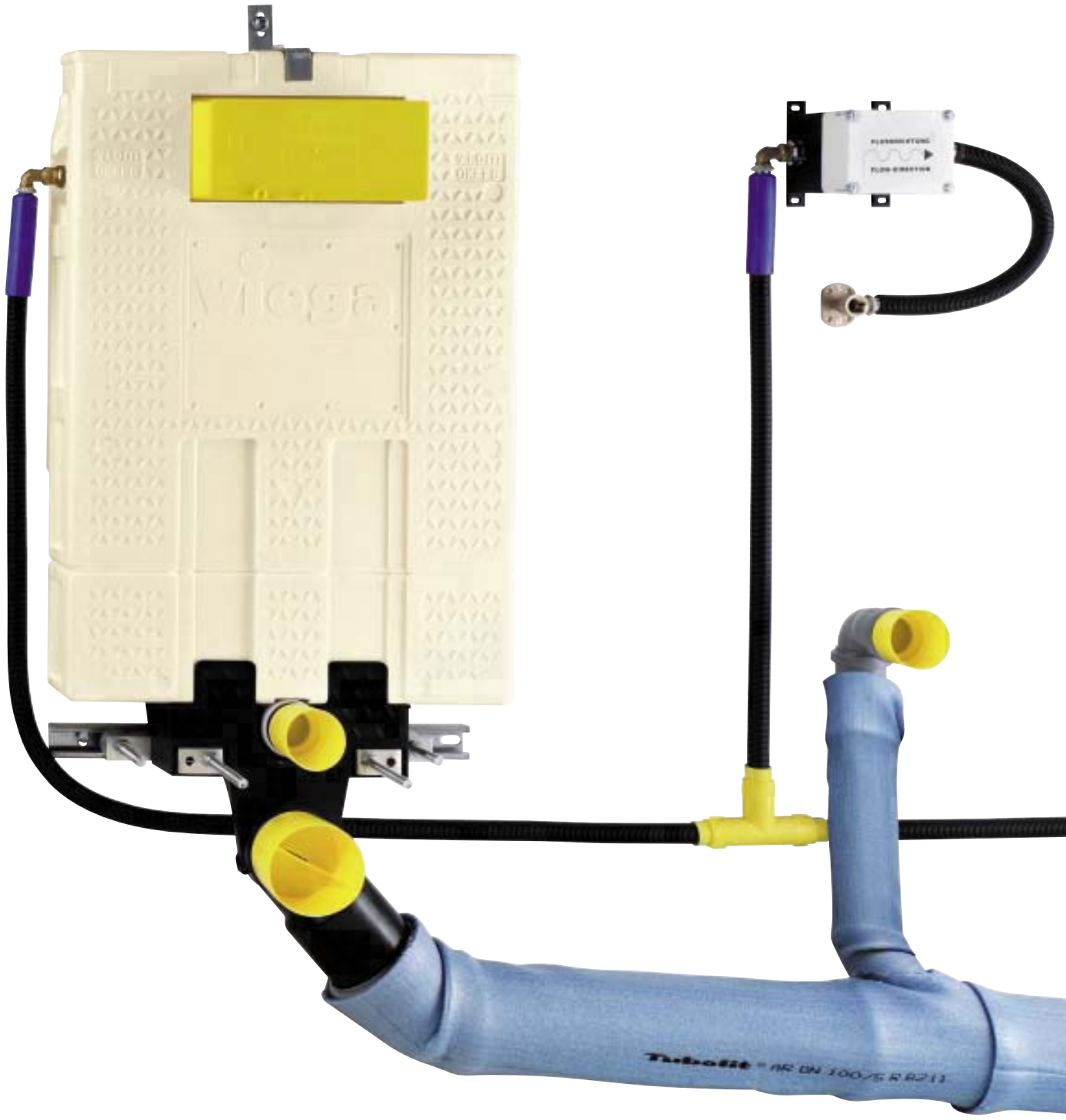
Any two Viega Eco Plus corner elements can be installed as a combination. In this case, the two corner elements are fastened together at four fastening points. Each corner element is also fixed in place by both foot supports as well as at four other fastening points.

Viega Mono. One block for any application.



If you are looking for wet construction solutions in the pre-wall, Viega Mono is a tried and tested classic. Its particular advantage: its variable size, which makes it especially flexible in terms of installation. Material quality and installation comfort are exactly as you would expect from Viega: the best.





Viega Mono. You select the constructional height, it adapts.

Viega Mono is available in two constructional heights. This means that our classic wet construction system is flexible in terms of installation: whether single or line mounting – simply shorten the pre-wall block, which has been preset to 1130 mm, to fit the marking and you have a 980 mm high housing. The flexible depth adjustment, the height-adjustable block and the low WC elements provide yet more evidence of the system's exemplary versatility. But that's not all. Integrated wall pockets allow a perfect fit to the wall. In addition, its expanded polystyrene housing, which is also soundproofed, makes an ideal base for plastering. Viega Mono stands for a large number of advantages, all of which make installation as easy as possible for you. What's more, Viega Mono gives you the confidence to face any challenging fitting circumstances involving wet construction.





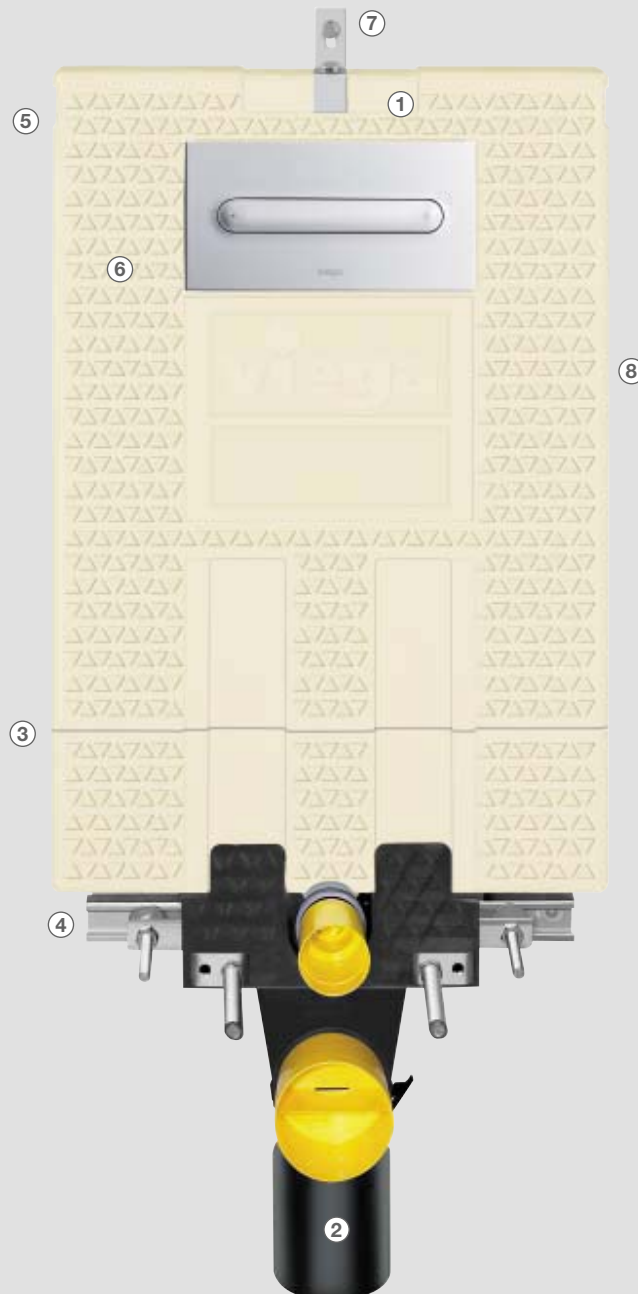
Viega Mono. Professional wet construction with that special something.

1 The robust and soundproofed expanded polystyrene housing offers an ideal base for plastering.

2 Weldable connection elbow in PE.

3 The expanded polystyrene housing can be shortened from 1130 mm to 980 mm, thus providing flexibility and reducing your storage costs.

4 Multiple Viega Mono pre-wall blocks can be fitted rapidly and efficiently on a single profile without time-consuming alignment.



5 The pre-mounted water ducting and the wall connection made of high-quality, corrosion-resistant gunmetal facilitate connection to the drinking water supply.

6 Viega Mono is equipped with the water-saving Viega Visign 2 concealed flushing cistern, which adds even more benefits.

7 The depth of the pre-wall blocks can be freely adjusted.

8 Tested soundproofing in accordance with DIN 4109, certified by the Fraunhofer Institute for Building Physics, Stuttgart.

Viega Mono
WC pre-wall block 8310.2
H x W x D:
1130/980 x 510 x 130-190 mm



Viega Mono
WC pre-wall block 8337.2
H x W x D:
820 x 510 x 172-230 mm



Viega Mono
WC pre-wall block 8338.2
H x W x D:
820 x 510 x 172-230 mm



Viega Mono
bidet pre-wall block 8317
B x T: 400 x 130-190 mm



Viega Mono
washbasin pre-wall block 8313
W x D: 295 x 90-150 mm



Viega Mono
surface-mounted fittings pre-wall block 8313.5
W x D: 295 x 90-150 mm



Viega Mono
urinal flushing system installation set 8328
universally applicable



Mounting profile 8001
H x D: 40 x 22 mm
Length: 3000 mm
For line mounting of models
8310.2, 8337.2, 8338.2, 8317



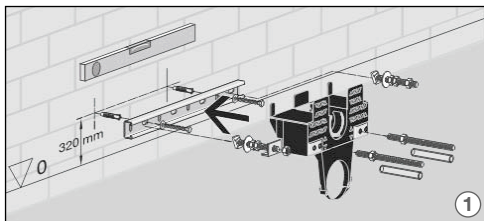
Viega Mono foot props 8310.5
Fitting aid for models
8310.2, 8337.2, 8338.2, 8317



Viega Mono footed bracket 8310.45
Mounting aid for self-supporting mounting of
models 8310.2, 8337.2, 8338.2, 8317



Viega Mono. Fitting – so easy, so precise



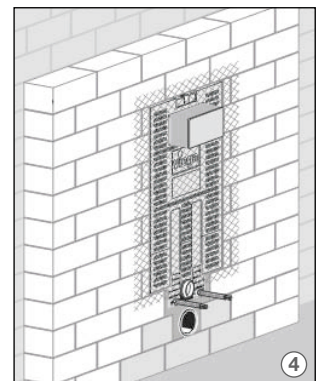
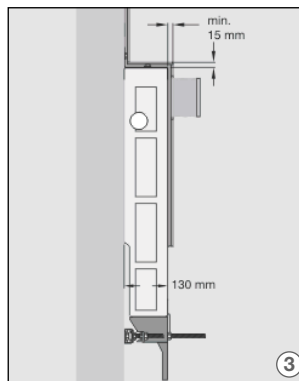
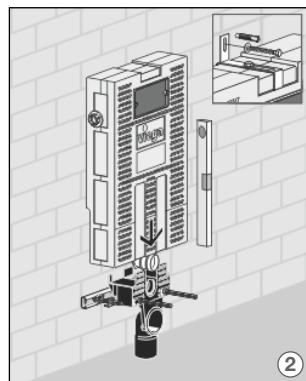
Pre-wall single fitting – height 1130 mm

1 Fix the mounting profile to the wall at a height of 320 mm using screw anchor plugs. Then screw on the WC clip.

2 The Viega Mono WC pre-wall block is now positioned on the WC clip and is then adjusted with a spirit level. Now just fix at the top end with a screw and a wall plug.

3 Important: The cistern must be plastered to a depth of at least 15 mm.

4 And: The brickwork must be infilled to at least 300 mm on both sides!



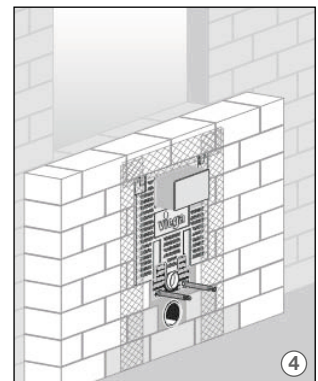
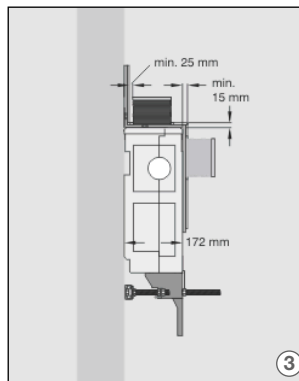
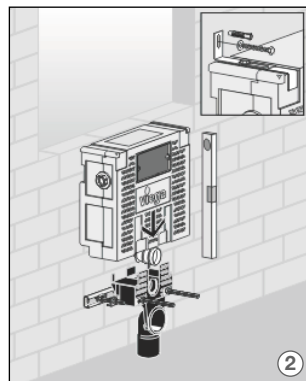
Pre-wall single fitting – height 820 mm

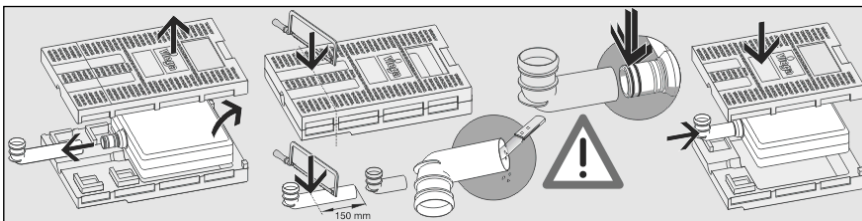
1 Fix the mounting rail to the wall at a height of 320 mm using screw anchor plugs. Then screw on the WC clip (see above).

2 Now place the Viega Mono WC pre-wall block on the WC clip and adjust it with a spirit level. Now all you need to do is fix it at the top end with a screw and a wall plug.

3 Important: The cistern must be plastered to a depth of at least 15 mm. For operation from above, a 25 mm gap must be observed between the finished wall and the inspection chamber.

4 Brick up the pre-wall block on both sides.



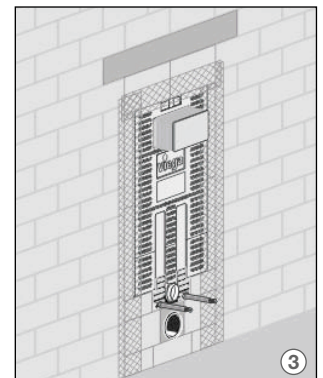
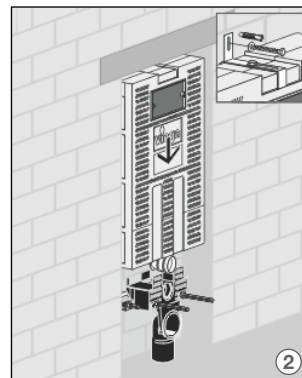
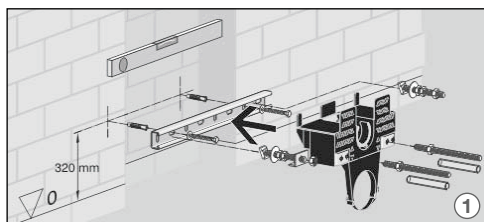


Shorten the pre-wall block from 1130 mm to 980 mm

First release the upper and lower parts of the pre-wall block, and remove the flush pipe elbow from its connection piece. Now both elements can be shortened at the marked point using a normal saw. Shorten the flush pipe elbow by 150 mm as well, and after deburring, simply reposition on the connection piece. Caution: It is essential to ensure that the two O-ring seals sit correctly! Finally, just connect the upper and lower parts, and you're done.

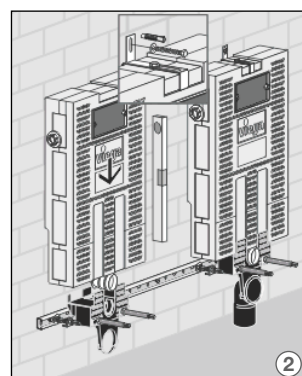
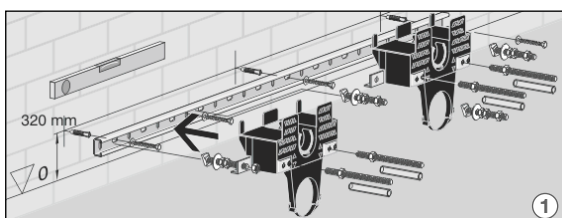
Pre-wall recessed single fitting – height 1130 mm

- 1 Fix the mounting rail to the wall at a height of 320 mm using screw anchor plugs. Then screw on the WC clip.
- 2 Position the Viega Mono WC pre-wall block on the WC clip and adjust with a spirit level. Now just fix at the top end with a screw and a wall plug. Important: It is necessary to install a concrete supporting beam above the cistern.
- 3 Finally, brick in the recess.



Pre-wall line mounting – WC pre-wall block – height 1130 mm

- 1 Fix the mounting profile to the wall at a height of 320 mm using screw anchor plugs. Then screw on the WC clips.



- 2 Position the Viega Mono WC pre-wall blocks on the WC clips and adjust with a spirit level. Now just fix at the top end with a screw and a wall plug.

**Give your design
a head start.**





Soundproofing, fire protection and damp protection

The perfect design can only be achieved if intelligent and architecturally attractive solutions are available: A sophisticated soundproofing concept can protect the privacy of your customers and significantly improve quality of life. Damp protection has a key role to play in terms of ensuring healthy conditions. And fire protection is, of course, the be all and

end all from a personal safety perspective. Viega pre-wall systems meet all three criteria to the highest standards. Viega pre-wall systems are certified to DIN 4109 by the Fraunhofer Institute for Building Physics, Stuttgart. What's more, the Steptec and Viegaswift systems boast a declaration of compliance for the fire protection shaft in accordance with the German Wiring Systems Directive.

Steptec soundproofing



Steptec installation on solid masonry

Installation wall: 11.5 cm sand-lime brick wall with a surface mass of $m''_w = 220 \text{ kg/m}^2$
 Insulation in accordance with EnEV and DIN 1988
 Measured values based on flush/stop function

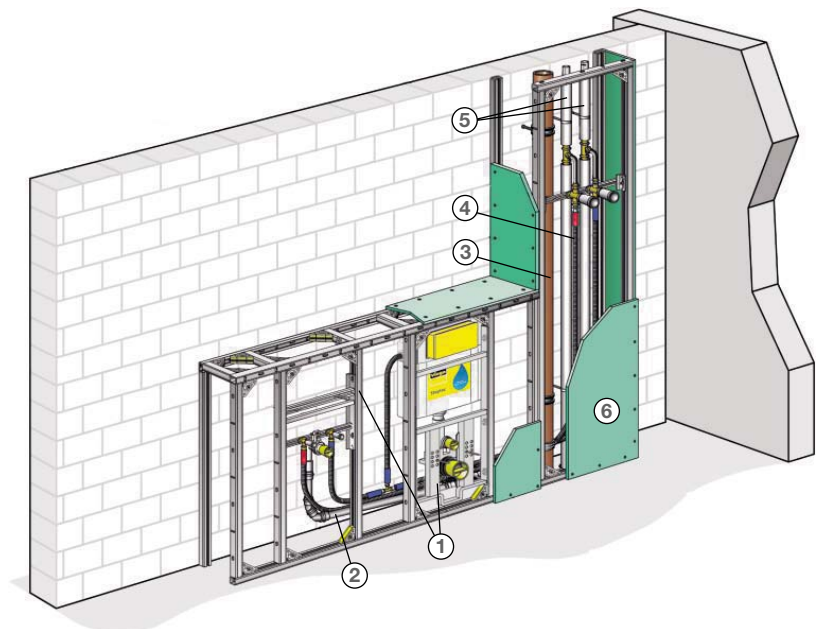
- 1 Steptec pre-wall system with washbasin and WC modules
- 2 HT wastewater collecting pipe
- 3 Cast iron wastewater downpipe
- 4 Sanfix Plus drinking water line (floor)
- 5 Sanpress drinking water riser pipe
- 6 Plasterboard 1 x 12.5 mm

DIN 4109 requirement:

Min. soundproofing $\leq 30 \text{ [dB(A)]}$

Diagonal transmission path/
 $m''_w = 220 \text{ kg/m}^2 / R'_w = 47 \text{ [dB]}$

Installation
 sound level L_{In} **19 [dB(A)]**



Steptec installation separating wall

Installation wall: Steptec installation separating wall
 Insulation in accordance with EnEV and DIN 1988
 Measured values based on flush/stop function

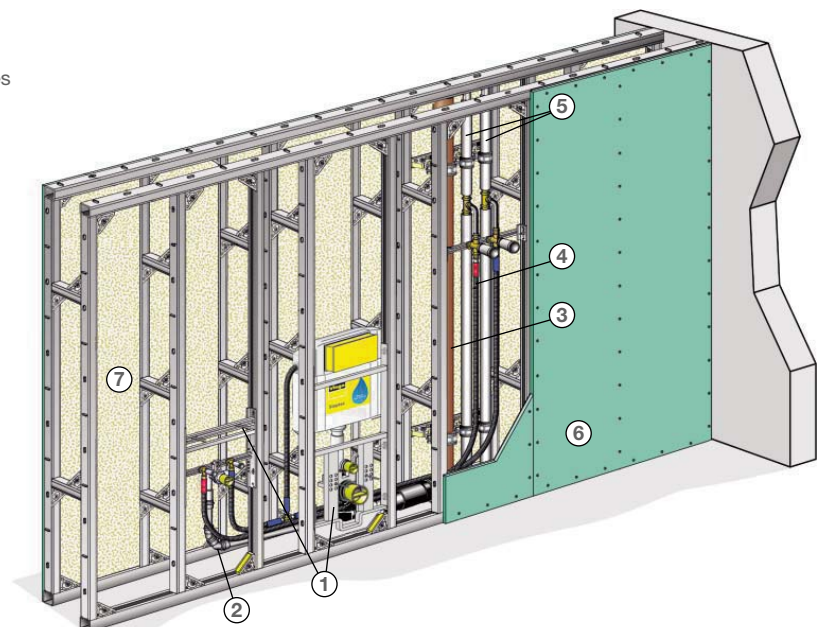
- 1 Steptec pre-wall system with washbasin and WC modules
- 2 HT wastewater collecting pipe
- 3 Cast iron wastewater downpipe
- 4 Sanfix Plus drinking water line (floor)
- 5 Sanpress drinking water riser pipe
- 6 Plasterboard 1 x 12.5 mm
- 7 Mineral-fibre insulating material 50 mm

DIN 4109 requirement:

Min. soundproofing $\leq 30 \text{ [dB(A)]}$

Diagonal transmission path/
 $R'_w = 52 \text{ [dB]}$

Installation
 sound level L_{In} **16 [dB(A)]**



Viegaswift soundproofing



Viegaswift pre-wall installation on solid masonry

Installation wall: 11.5 cm sand-lime brick wall with a surface mass of $m''_w = 220 \text{ kg/m}^2$
 Insulation in accordance with EnEV and DIN 1988
 Measured values based on flush/stop function

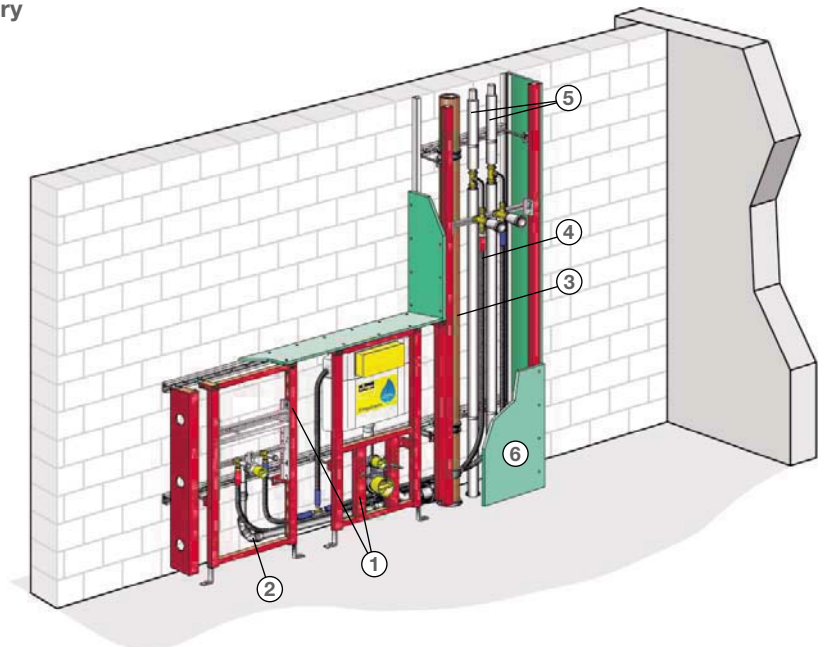
- 1 Viegaswift pre-wall system with washbasin and WC elements
- 2 HT wastewater collecting pipe
- 3 Cast iron wastewater downpipe
- 4 Sanfix Plus drinking water line (floor)
- 5 Sanpress drinking water riser pipe
- 6 Plasterboard 1 x 12.5 mm

DIN 4109 requirement:

Min. soundproofing $\leq 30 \text{ [dB(A)]}$

Diagonal transmission path/
 $m''_w = 220 \text{ kg/m}^2 / R'_w = 47 \text{ [dB]}$

Installation
 sound level L_{In} **19 [dB(A)]**



Viegaswift pre-wall installation on lightweight partition wall

Installation wall: Knauf W 112 metal frame wall
 Insulation in accordance with EnEV and DIN 1988
 Measured values based on flush/stop function

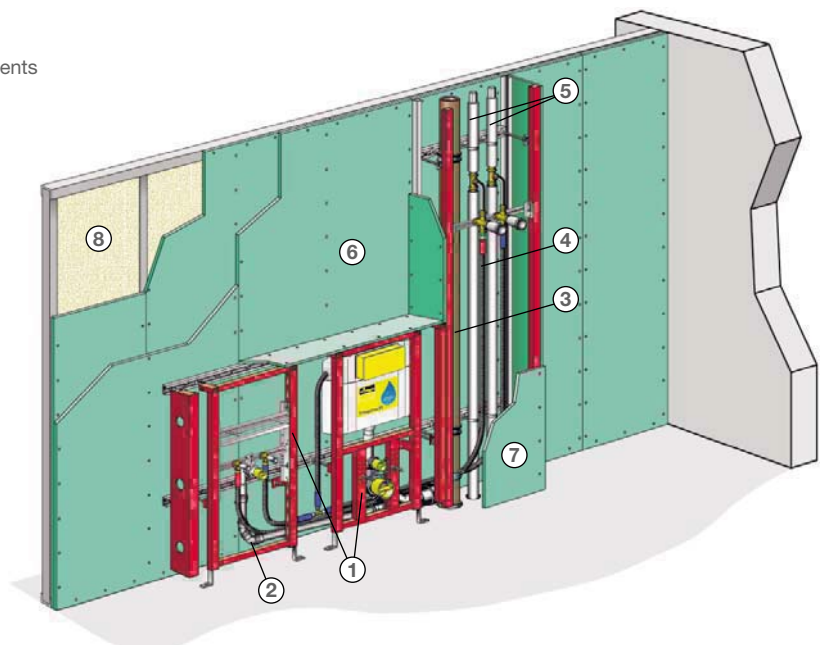
- 1 Viegaswift pre-wall system with washbasin and WC elements plus room-height Viegaswift brackets
- 2 HT wastewater collecting pipe
- 3 Cast iron wastewater downpipe
- 4 Sanfix Plus drinking water line (floor)
- 5 Sanpress drinking water riser pipe
- 6 Plasterboard 2 x 12.5 mm
- 7 Plasterboard 1 x 12.5 mm
- 8 Mineral-fibre insulating material 50 mm

DIN 4109 requirement::

Min. soundproofing $\leq 30 \text{ [dB(A)]}$

Diagonal transmission path/
 $R'_w = 49 \text{ [dB]}$

Installation
 sound level L_{In} **19 [dB(A)]**



Additional Viegaswift "In-wall installation in a lightweight partition wall" soundproofing report available.

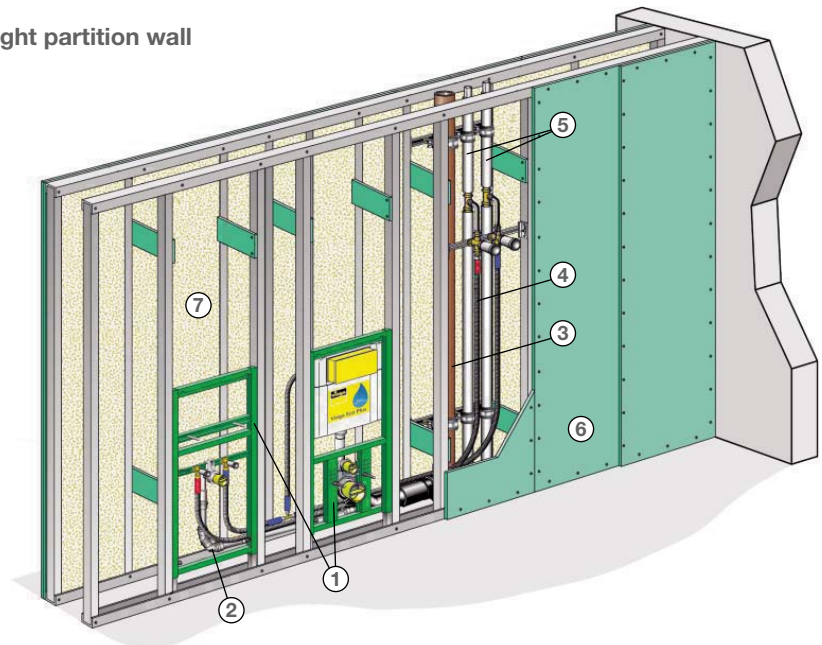
Soundproofing: Viega Eco Plus and Viega Mono



Viega Eco Plus in-wall installation in a lightweight partition wall

Installation wall: Knauf W 116 metal frame wall
Insulation in accordance with EnEV and DIN 1988
Measured values based on flush/stop function

- 1 Viega Eco Plus pre-wall system with washbasin and WC elements
- 2 HT wastewater collecting pipe
- 3 Cast iron wastewater downpipe
- 4 Sanfix Plus drinking water line (floor)
- 5 Sanpress drinking water riser pipe
- 6 Plasterboard 2 x 12.5 mm
- 7 Mineral-fibre insulating material 50 mm



DIN 4109 requirement:

Min. soundproofing ≤ 30 [dB(A)]

Diagonal transmission path/
 $R'_w = 54$ [dB]

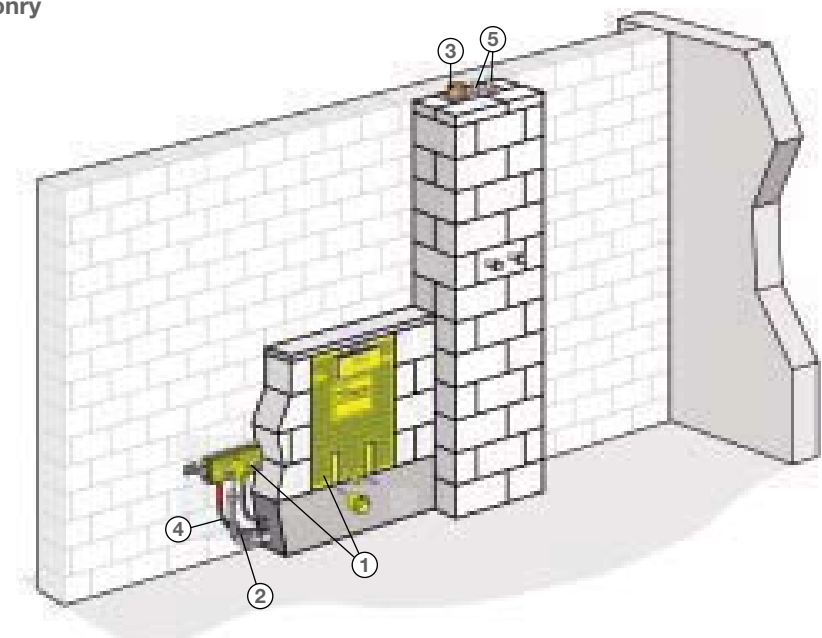
Installation
sound level L_{In} **21 [dB(A)]**

Additional Viega Eco Plus "Pre-wall installation on solid masonry"
soundproofing report available.

Viega Mono pre-wall installation on solid masonry

Installation wall: 11.5 cm sand-lime brick wall
with a surface mass of $m''_w = 220$ kg/m²
Insulation in accordance with EnEV and DIN 1988
Measured values based on flush/stop function

- 1 Viega Mono pre-wall system with washbasin and WC pre-wall blocks
- 2 HT wastewater collecting pipe with damping of structure-borne noise
- 3 Cast iron wastewater downpipe with damping of structure-borne noise
- 4 Sanfix Plus drinking water line (floor)
- 5 Sanpress drinking water riser pipe



DIN 4109 requirement:

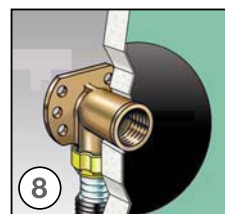
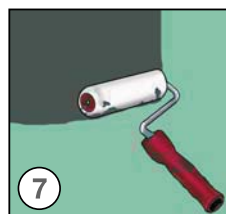
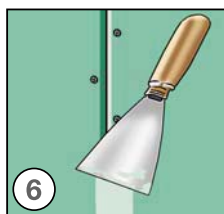
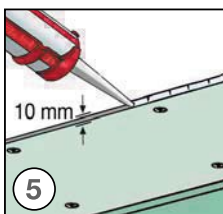
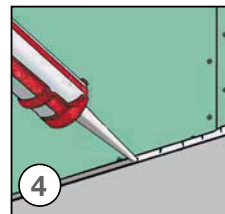
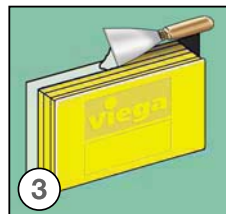
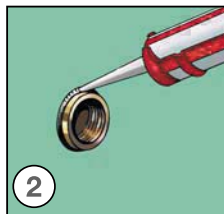
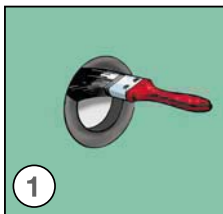
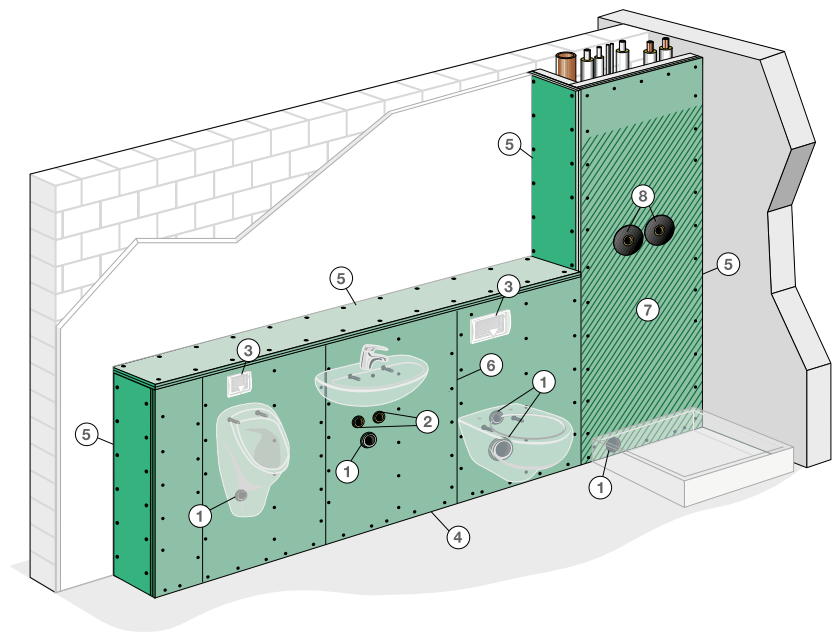
Min. soundproofing ≤ 30 [dB(A)]

Diagonal transmission path/
 $m''_w = 220$ kg/m²/ $R'_w = 47$ [dB]

Installation
sound level L_{In} **27 [dB(A)]**

Damp protection

Viega pre-wall systems are suitable for use in all damp and wet areas. It is simply a question of selecting the right covering. In domestic bathrooms, Viega pre-wall systems should be covered with GKFI boards. Information on sealing the individual connections against damp is provided in the relevant assembly steps. In extremely wet areas, the Aqua plastic board should be used for covering the pre-wall systems. This is a covering made from calcium silicate, which has been specially designed for such areas.



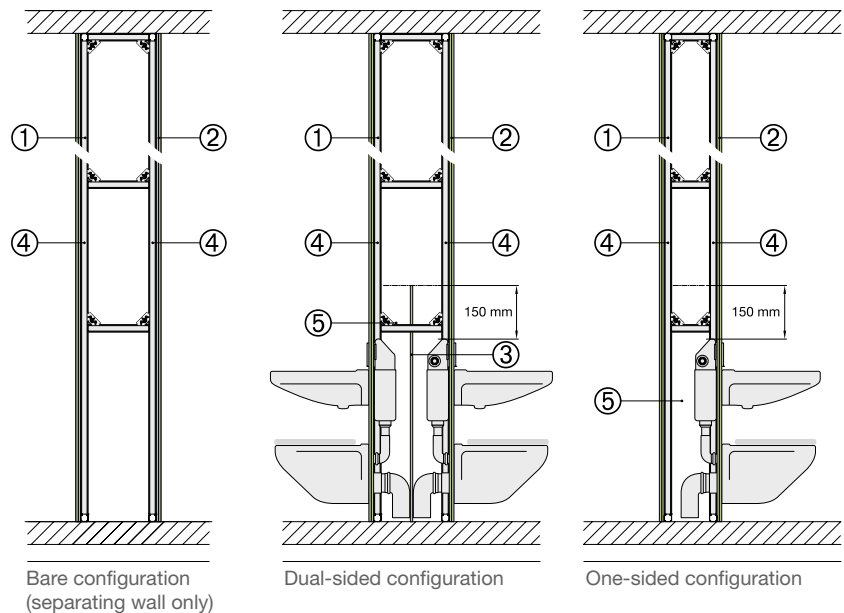
- 1 Sealing the cut edges with penetrating primer.
- 2 Sealing the mounting rings for water connections.
- 3 Coating the cut edges with filler.
- 4 Injection of permanently elastic sealant into the gap between pre-wall and floor.
- 5 Injection of permanently elastic sealant into the gap between pre-wall and fixed wall.
- 6 Coating the cut edges with filler.
- 7 Application of a surface coating, e.g. bitumen-based.
- 8 Sealing via a sealing flange.

F120 fire protection with Steptec

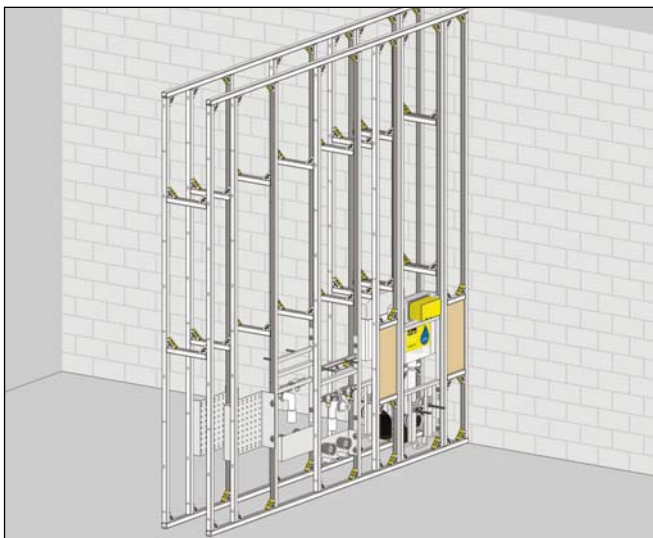
Viega is currently the only pre-wall manufacturer to offer systems that can be used to ensure a fire resistance time of 120 minutes (F120) for pre-wall structures with installation components attached. These come in the form of its Steptec and Viega Eco Plus systems.

- 1 Steptec pre-wall system
- 2 GKFI board 2 x 12.5 mm
- 3 GKFI board 1 x 12.5 mm
- 4 Mineral-fibre insulating material 50 mm
- 5 Mineral wool

Sectional view of possible configurations

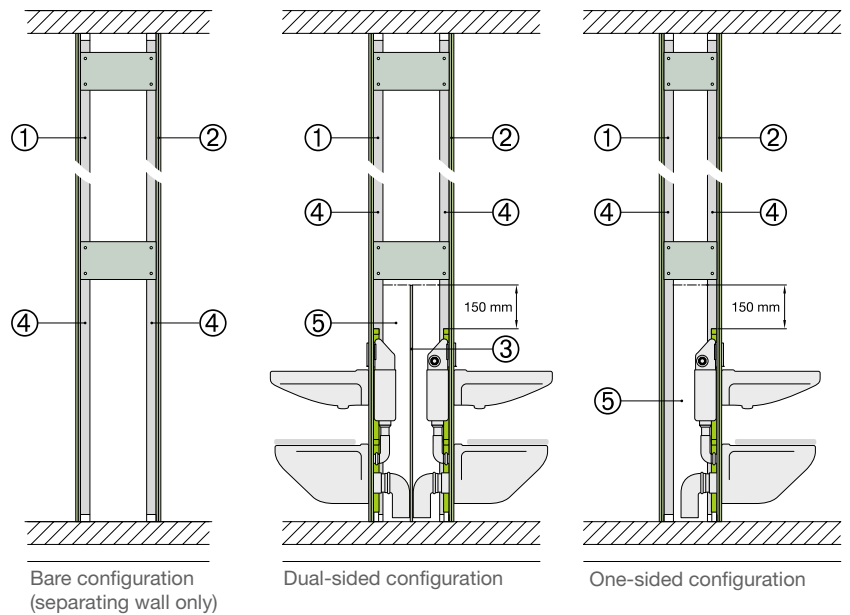


Dual-sided Steptec separating wall configuration

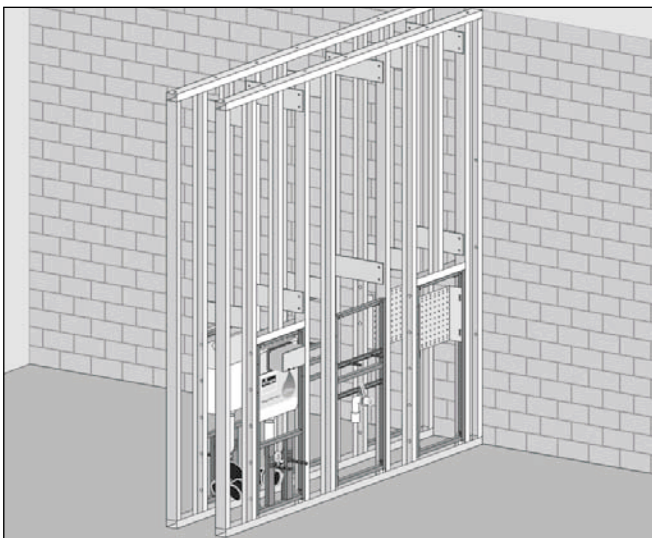


F120 fire protection with Viega Eco Plus

Sectional view of possible configurations



Dual-sided standing wall configuration with Viega Eco Plus elements



**Perfect technology
meets visionary design.
Viega Visign.**



Viega Visign 2 concealed flushing cistern: Energy-efficient and technically pioneering.

- 1 Visign for More 104 actuating plate with base plate to the rear.
- 2 Bowden wire unit connecting the actuating plate to the drain valve.
- 3 Drain valve seat and multifunctional drain valve.



Viega's concealed flushing cistern is impressive in two respects: both behind the wall, where it boasts state-of-the-art technology, and in front of the wall, where ground-breaking design is demonstrated. With its pre-mounted water supply and variable water connection, it makes fitting extremely easy and, as always, can be used in a variety of ways.

The integrated filling tube guide, as well as mechanical and Bowden wire technology, ensure smooth operation in the interior. In addition, the water connection can be switched from the left to the top with no additional parts required. Thanks to optimised fastening technology, the Visign actuating plates sit better than ever before.

Your customers will notice this too, and at the same time will benefit from the innovative rocker technology. Gentle pressure and the multifunctional 2-level flushing drain valve actuates the flush, with either a continuously adjustable short flush volume of approx. 3–4 litres, or a continuously adjustable full flush volume of 6–9 litres.

Visign actuating plates. Flair at your fingertips.



An actuating plate as a design highlight? Absolutely. Especially when, as in the case of the Viega Visign range, the optimised user-friendliness cannot fail to impress. Purist aesthetics meet revolutionary technology. You can see it, you can feel it. And that is exactly what counts for your customers.

Visign for More.

The influence of architecture and a modern design is unmistakable in Visign for More. But it's not only the product's appearance that is impressive, it's the technology too, which combines a smooth flush and short stroke distances with maximum reliability.

Visign for Style.

Visign for Style blends harmoniously into the modern family bathroom look, with an impeccable sense of style. It makes a distinct visual impression which deliberately hints at the perfectly designed technology. Visign for Style offers pleasing features and is easy to operate.

Visign for Life.

The Viega Visign for Life actuating elements create a combination of vision and design, look dazzling and are the ideal addition when designing an individual bathroom.

Visign for More. Capturing the latest trends.



100 Metal, chrome-plated
8352.1



100 ESG*, transparent/grey



100 Metal,
chrome-pl.
8351.2



100 ESG*,
transparent/grey



101 Metal, chrome-plated
8351.1



101 ESG*, transparent/grey



100 Metal IR
9 V 8351.5,
230 V 8351.6



102 Metal, chrome-plated
8353.1



102 ESG*, transparent/grey



102 Metal,
chrome-pl. 8353.2



102 ESG*,
transparent/grey



103 Metal, chrome-plated
8355.1



103 ESG*, transparent/grey



103 Metal,
chrome-pl. 8355.2



103 ESG*,
transparent/grey



103 Metal IR
9 V 8355.5,
230 V 8355.6



104 Metal, chrome-plated
8354.1



104 Metal,
chrome-pl. 8354.2

With its bold look and deliberate emphasis on purist aesthetics, the Visign for More line makes a powerful statement. And will appeal to those with an eye for the latest design trends. The flat plate almost seems to hover in the air, conveying a sense of effortless and elegance.

Beautiful materials such as metal and glass, in various colours, create specific design effects. The products completely live up to their look when it comes to using them: sheer effortless. Even gentle pressure will actuate the flush. The required flush volume is selected by means of innovative rocker technology, which helps save water thanks to the integrated 2-level flushing mechanism: continuously adjustable short flush volume of approx. 3–4 litres, or a continuously adjustable full flush volume of 6–9 litres.

*Single-pane safety glass

Visign for Style. The epitome of chic.



10 Plastic, Alpine white
8315.1



11 Plastic, Alpine white
8331.1



11 Plastic,
Alpine white
8331.2



12 Plastic, stainless steel effect
8332.1



12 Plastic,
stainless steel
effect 8332.2

Modern ceramics and contemporary fittings have long been a feature of family bathrooms. With its simple, clean lines Visign for Style will be right at home in such a setting and contribute to the overall impression. The designer line focuses on the interaction between people and technology in an unobtrusive, yet elegant way.

Its technical aplomb can be seen in the new and extremely easy actuating method. Just a short, gentle press is all that is required for the desired flush volume to be released. And that is where the newly developed rocker technology also comes into play.

Visign for Life.

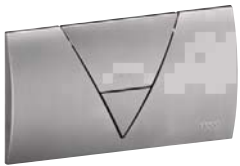
There is a future for design with vision.



1 Metal, chrome-plated
8311.1



1 Metal IR,
chrome-pl.
9 V 8128.2,
230 V 8128.3



1 Plastic, stainless steel effect
8310.1



1 Plastic, stainless steel effect
8128.1



2 Plastic, chrome-plated
8312.1



3 Plastic, chrome-plated
8313.1



4 Stainless steel, brushed
8324.1

Especially in the bathroom – an area that people are becoming increasingly interested in from the perspective of interior design. This interest is by no means restricted to the home. Interior design requirements are also growing within the contractual fitting sector. Viega Visign for Life actuating plates, which are available in three different shapes and two different types of material as well as an extremely wide range of colours, ensure a contemporary look. At the same time, they offer amazing flexibility in terms of their potential applications, which has a positive impact on storage costs. Whichever option you choose, Steptec, Viegaswift, Viega Eco Plus or Viega Mono plates are all beautifully designed to fit in anywhere and are compatible with any concealed flushing cistern. They can be installed as a control on the front or on the top.

Viega GmbH & Co. KG
Sanitary and heating systems
Ennester Weg 9
DE-57439 Attendorn
Germany
Phone +49 2722 61-1297
Fax +49 2722 61-1146
info@viega.com
www.viega.com

